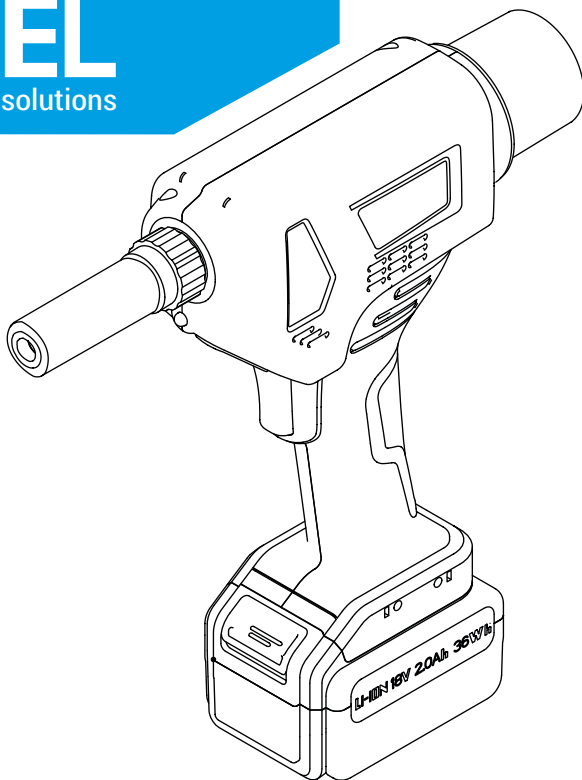


**GOEBEL**  
innovative fastener solutions



**GO - LB1**

**⚡ 18V**

**Cordless Lockbolt Battery Tool**

**User Manual**






**Instruction manual: GO-LB1****Table of contents**

	Page
<b>Safety measures</b>	2 - 4
<b>Daily maintenance &amp; Environmental protection</b>	4
<b>1. Tool overview</b>	4
1.1 Capacity	5
1.1 Technical parameters	5
1.2 Configuration/ Accessories (see fig. A)	5 - 6
1.3 Parts list (see Fig. B)	7
1.4 Tool parts list of the GO-LB1	8
<b>2. Preparing the tool</b>	9
2.1 Checking the battery	10
2.2 Checking the tool	10
<b>3. Tool operation</b> (important tips before starting work)	11
3.1 Preparation and review of the specification	11
3.2 Instructions for the setting process	11 - 12
<b>4. Charger &amp; Batteries</b>	13
4.1 Technical parameters	13
4.2 Using the charger	13
4.3 Using the battery	13
<b>5. FAQ (Questions / Answers)</b>	14
<b>6. Troubleshooting</b>	14
6.1 Malfunctions	14
6.2 Possible causes	14
6.3 Corrective measures	14
<b>7. Protection conditions &amp; CE certification</b>	15



## Safety precautions

To reduce the risk of electric shock, personal injury, fire and property damage, be sure to follow the safety precautions below.


Description of the symbols:

 <b>Danger</b> Indicates potential danger of serious injury or death
 <b>Warning</b> Indicates potential danger of serious injury or death
 <b>Caution</b> Indicates the risk of a minor injury

The following signs are used to classify and describe the types of information to be followed.

 This sign is used to alert the user to the prohibited action steps.
 This sign is used to draw users' attention to the operating steps that must be carried out to use the tool.

- This tool is restricted to setting lockbolts and must not be used for impact or other purposes, such as a hammer.
- Do not overload the lockbolt tool. Please use it only within the range specified in the function settings.
- Do not block the ventilation openings of the motor. Do not insert any objects into the ventilation openings.
- It is recommended to wear safety glasses and personal protective equipment such as gloves, hard hat, safety shoes, noise-insulating earplugs, fall protection devices and other necessary protective measures when using this tool.
- Please keep the packaging boxes and accessories in a safe place and handle them with care.
- The tool and accessories should be placed in the plastic case, stored in a dry place and out of the reach of children.

 Please keep the packaging box and accessories and handle them with care.

- The tool and accessories should be placed in the plastic case, stored in a dry place and out of the reach of children.

## Safety precautions

### Use of the battery

---

- Do not charge damaged, dirty or wet batteries.
- Batteries must not be thrown into water or fire at any time, used batteries must not be disposed of as you please
- Do not charge when the ambient temperature is below 0°C or above 45°C.

### Use of the charger

---

- The original battery and the manufacturer's charger must be used for charging.
- Do not charge the battery with a damaged, dirty or damp charger.
- Do not place metal objects in the charging area as a short circuit may occur.
- This charger must not be used by persons with disabilities, mental disabilities or persons without training or knowledge unless a safety officer is on site to supervise or instruct them in its use.

### Danger

---

- The lockbolt setting tool must not be used in a damp environment or in the vicinity of flammable liquids and gases. Danger of explosion!
- Do not point the lockbolt setting tool at yourself, others or animals.
- Do not load in a damp environment, near an open fire or in an environment with flammable, highly combustible gases that can easily be detonated.

### Warning

---

- Tools should be placed so that they do not fall down to avoid unnecessary damage and safety accidents.
- When installing the battery, be sure to fix its position. After you hear a "click" sound the battery is properly placed.
- When servicing this lockbolt setting tool, make sure that the charger and its power supply equipment are in good condition.
- Use a power supply unit that matches the charger.
- Plugs, power cords and chargers should be checked regularly. If a problem is found, it should be repaired by the maintenance personnel.
- Maintenance personnel must have professional skills; only qualified professionals can carry out repairs. If in doubt, please return the tool to the authorised dealer or manufacturer for repair.
- Original spare parts must be used during maintenance.

## Maintenance

- Regular maintenance prolongs the life of tools with a lithium battery and should be carried out by an authorised dealer or manufacturer. For more frequent use, it is recommended that maintenance be carried out in advance.
- Maintenance of the lockbolt tool is limited to replacement of worn parts and quick wear parts, clamping jaws, clamping jaw sliders, etc. only, if necessary (see page 8 for replacement accessories).
- To keep the tool in good working condition, please check the tool's wearing parts frequently. In case of wear or damage, please contact your dealer or the manufacturer.

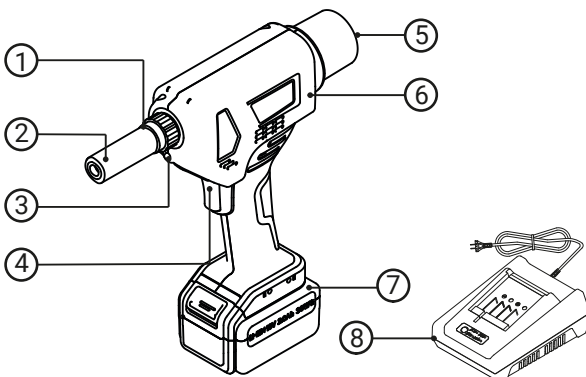
## Repair

- The warranty period is 1 year from the date of sale. Excluded from this are quick wear parts e.g. clamping jaws, jaw sliders etc.
- Failure to comply with the relevant installation and commissioning instructions or failure to follow the operating procedures may result in the warranty being invalidated.

## Environmental protection and resource recycling

- When replacing lithium batteries used in this product, the following points must be observed:
- If your country or region has regulations, please be sure to take the old battery to a professional company for disposal.
- Do not throw old batteries into the rubbish, fire or water!

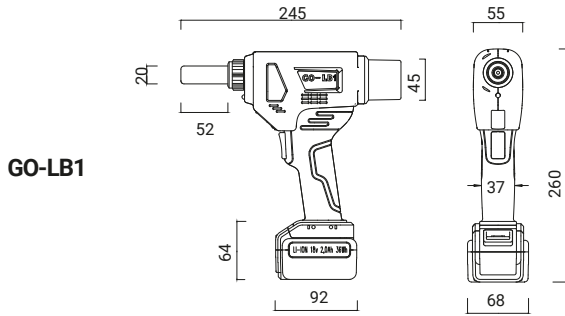
### 1. Tool overview



### Name of the component

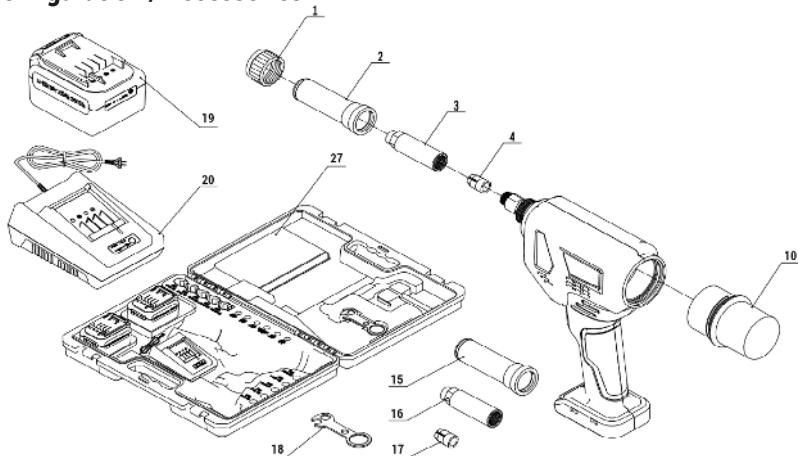
- |              |                |
|--------------|----------------|
| ① Screw Cap  | ⑥ Tool Housing |
| ② Mouthpiece | ⑦ Battery      |
| ③ LED Light  | ⑧ Charger      |
| ④ Trigger    |                |
| ⑤ Collector  |                |

## 1.1 Capacity / Technical parameters



Model	<b>GO-LB1</b>
Motor	18V Brushless motor
Noise level	< 78dB
Setting Mode	Conventional setting mode
Traction Power	23000N
Stroke	16 mm
Net weight (incl. battery)	1,5Kg
Capacity	∅ 4,8 to 6,4 mm
Material specification	All materials and specifications of extensive grip range lockbolts and the 6-groove lockbolts

## 1.2 Configuration / Accessories



(Fig. A)

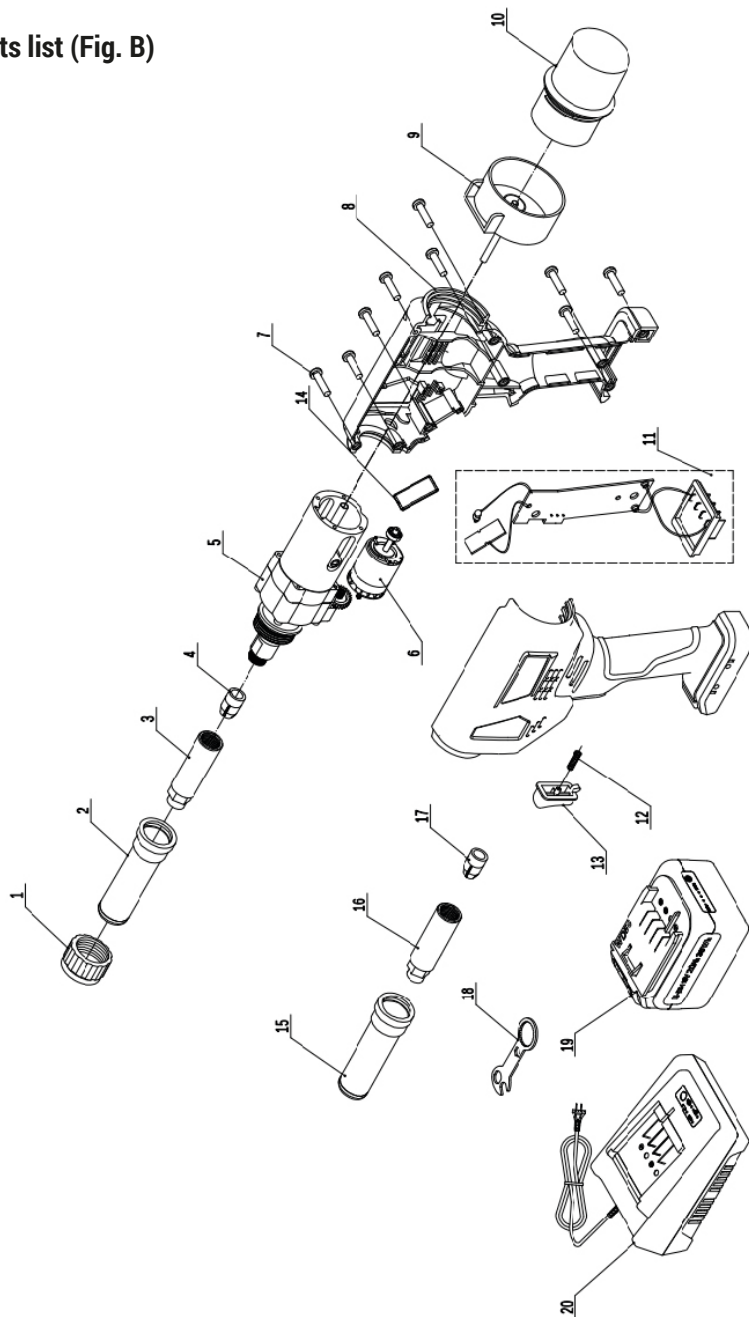
## 1.2 Configuration\* / Accessories GO-LB1 (see fig. A)

NO	Parts description	Code	Spec	Qty.
1	Screw cap	2277010210		1
2	Mouthpiece	2277040210	Ø 6,4	1
3	Clamping Sleeve	2277040310	Ø 6,4	1
4	3-jaw set	2277040410	Ø 6,4	1
10	Mandrel collector	2277011610		1
15	Mouthpiece	2277041810	Ø 4,8	1
16	Clamping Sleeve	2277041910	Ø 4,8	1
17	3-jaw set	2277042010	Ø 4,8	1
18	Wrench	2277012310		1
27	Plastic case	2277013310		1
19	Battery Li-Ion 18V 2.0 Ah	2277012410		2
20	Battery Charger	2277012510		1

\* General configuration

Very important note! This product is supplied with the factory default configuration. If users have other special requirements or wish to customise the configuration, please contact the dealer or manufacturer in advance.

### 1.3 Parts list (Fig. B)





## 1.4 Tool Parts list of the GO-LB1 (see Fig. B)

\*Please note that the shaded parts in the list are wear parts. The serial numbers 5, 6, 11 are structural parts.

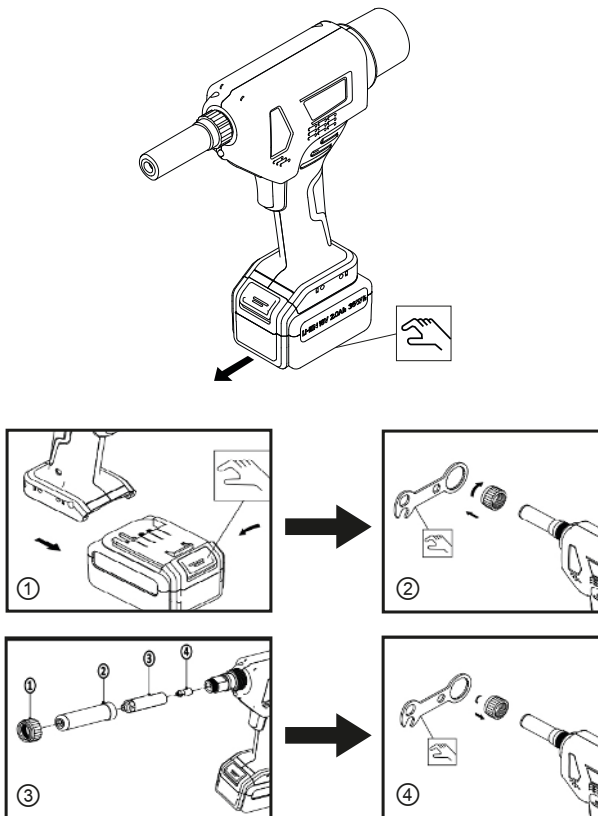
NO	Standard Code	Teilbezeichnung	Anzahl	NO	Standard Code	Teilbezeichnung	Anzahl
1	2277010210	Screw cap	1	14	2277062010	Plastic Cover	1
2	2277040210	Mouthpiece Ø 6,4 mm C6L	1	15	2277041810	Mouthpiece Ø 4,8 mm C6L	1
3	2277040310	Clamping Sleeve Ø 6,4 mm C6L	9	16	2277041910	Clamping Sleeve Ø 4,8 mm C6L	1
4	2277040410	3-Jaw Set Ø 6,4 mm C6L	1	17	2277042010	3-Jaw Set Ø 4,8 mm C6L	
5	2277040510	Gear Box Set	1	18	2277012310	Wrench	
6	2277050610	Brushless Motor	1	19	2277012410	Battery Li-Ion 18V 2.0 Ah	2
7	2277011310	Tool body screw	9	20	2277012510	Battery Charger	1
8	2277011410	Tool Body GO-LB1	1	21	2277049911	Mouthpiece Ø 4,8 mm Magna	1
9	2277011510	Mandrel Release Component	1	22	2277049811	Clamping Sleeve Ø 4,8 mm Magna	1
10	2277011610	Mandrel Collector	1	23	2277049711	3-Jaw Set Ø 4,8 mm Magna	1
11	2277041210	PCB-Set	1	24	2277049611	Mouthpiece Ø 6,4 mm Magna	1
12	2277061810	Trigger Spring	1	25	2277049511	Clamping Sleeve Ø 6,4 mm Magna	1
13	2277011810	Trigger	1	26	2277049411	3-Jaw Set Ø 6,4 mm Magna	1

\* Important note: Serial numbers 2-4, 15-17, 21-26 (shaded part with \*) are optional accessories!

## 2. Preparation of the tool

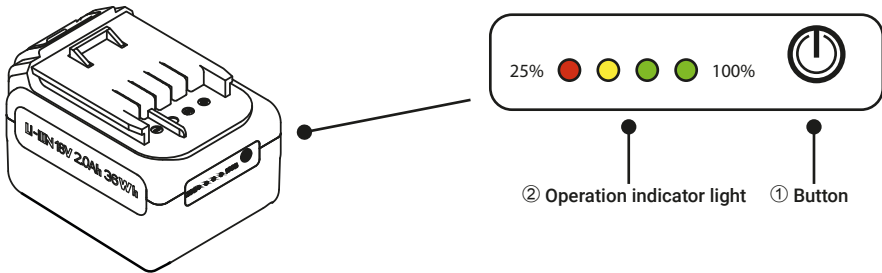
Before putting the lockbolt setting tool into operation, please read the following important instructions carefully.

Make sure that you remove the battery from the lockbolt setter before replacing the wearing parts (mouthpiece, clamping jaw sleeves and the three clamping jaws), otherwise there is a risk of injury! Choose a mouthpiece that corresponds to the specification of the lockbolt. The procedure for replacing the components is shown in the following illustration:



Make sure that the battery has been removed from the tool as shown in figure ① In the order shown above: ② loosen the screw cap with the wrench in the direction of the arrow. Now you can replace the screw cap, the mouthpiece, the jaw sleeve and the 3-jaws according to ③ Once the process is complete, screw the screw cap back on according to ④ using the wrench. Now you can reinsert the battery.

## 2.1 Checking the battery



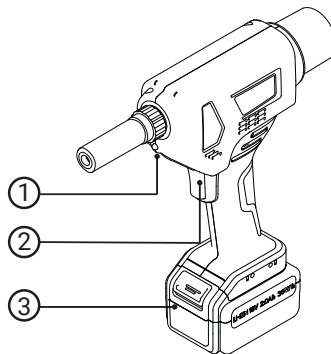
Press button ① once to check the battery.

The power indicator lamp ② is always lit:

- Full indicator, 100% energy (green).
- Three lights, 75% energy (green)
- Two lights, 50% energy (yellow)
- One light, 25% energy. (red) **Please charge!**

## 2.3 Checking the tool

- ① LED Light
- ② Trigger
- ③ Battery



Install the battery ③ in the direction of the arrow. Press the trigger ②, the white LED light comes on ① and is always on, indicating that the power is working normally.

### Important note:

You save energy with the automatic sleep mode, no operation within one minute and the white illumination light LED goes out automatically. Thus, the tool goes into automatic sleep mode. When you pull the trigger again, the power supply is restored.

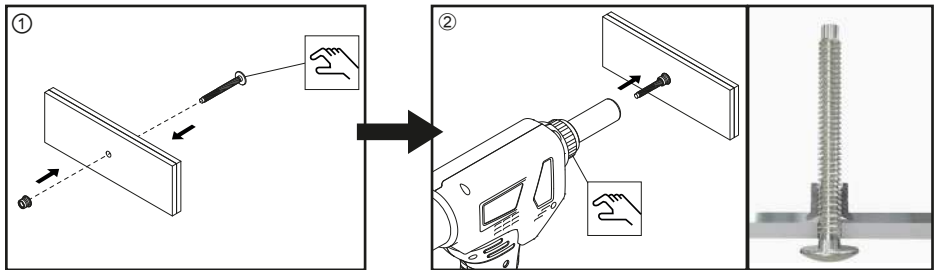
### 3. Tool Operation (Important tips before starting work)

Please charge the battery to 100% (according to relevant government regulations) before first use. Please make sure not to stop charging below 50% of the battery power.

#### 3.1 Preparation and review of specifications

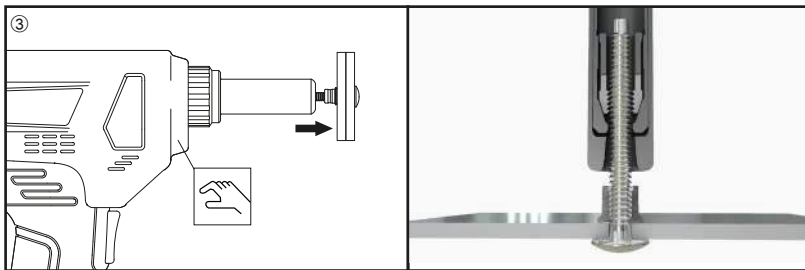
In advance, the specifications of the lockbolt, the borehole and the thickness of the workpiece should be considered. Due to different types and specifications of lockbolts that can be provided by different suppliers, the installation performance will vary greatly. Therefore, a pre-installation (trial setting) is required, before the official setting process. We recommend that you use GOEBEL lockbolts for optimum processing.

#### 3.2 Instructions for the setting process

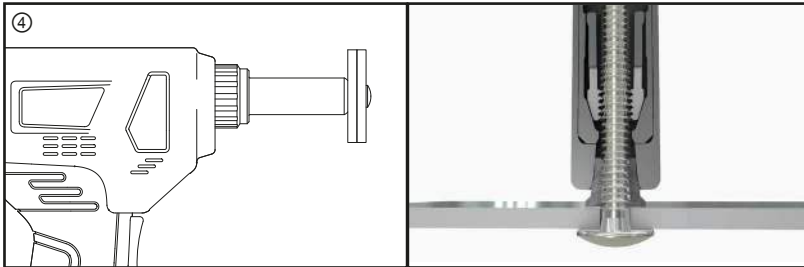


The lockbolt and the locking are inserted into the intended drill hole of the component in the direction of the arrow ①. Note that this is done vertically!

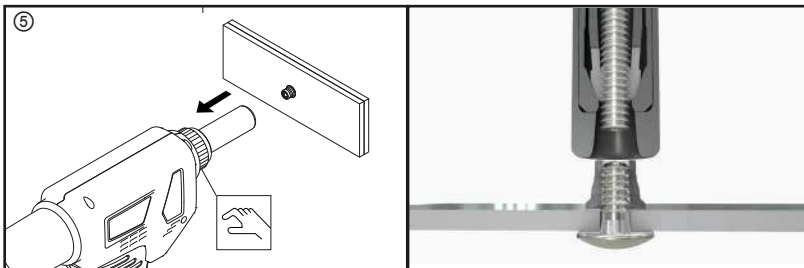
② Now that the lockbolt and the locking are inserted into the workpiece, the setting tool can be guided to the component (in the direction of the arrow).



③ The mouthpiece of the GO-LB1 now receives the thread of the lockbolt.



④ Press the trigger to set the lockbolt. Now the collar is deformed and locks with the bolt thread.



⑤ The lockbolt breaks off flat at the head of the collar and now moves back into the machine, where it lands in the collection container. The setting process is completely finished.



⑥ An installation of GOEBEL lockbolts can cover different clamping ranges with one dimension - preferably the G-GRIP® lockbolt made of stainless steel is suitable here.

## 4. Charger & Battery

### 4.1 Technical parameters

#### Charger

Output: 18V - 2.0Ah

Input: 100 - 240V / 50 - 60HZ / 1 A

Net weight: 0,27Kg

#### Battery

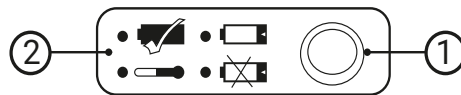
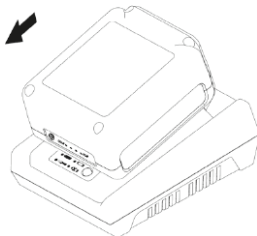
Output: 18V - 2.0Ah - 36Wh

Net weight: 0,37Kg

### 4.2 Charger usage

At first, the indicator light ① of the charger lights up green. As soon as the battery has been inserted in the direction of the arrow, the colour of the indicator light changes to red.

Operation	Charge control light (1)	Symbols (2) Explanation	Measures
Battery charged in charger	▶ Red lighth on	▶ The battery is in in good condition. The charging time is about one hour.	▶ In good condition.
	▶ Green light on	▶ Malfunction of the battery. Cannot be be charged.	▶ Immediately disconnect the power supply, remove the battery and replace it with a new battery.
The battery is charged	▶ Green light on	▶ The battery is full. Please remove the battery.	▶ In good condition.
	▶ Red lighth on	▶ When the internal temperature rises, the charger stops working.	▶ Immediately disconnect the power supply, remove the battery and replace it with a new battery.



① Charge indicator light

② Charging symbols

### 4.3 Battery usage

- During use, please check (see page 10 - Battery check) the battery power.
- The battery has deep discharge protection (ECP) and can be recharged about 1000 times.
- Do not use the charger until the battery has cooled down sufficiently.
- If the battery's operating time is significantly reduced during normal use, this indicates that the battery should be replaced.

Questions		Answers	
Battery	▶ Is it okay not to use them for a long time?	▶	Charge the battery at least every 6 months, otherwise it may deteriorate in performance after 6 months.
	▶ Does charging after each use affect battery life?	▶	Suggestion: When the remaining battery time is only 25% (a light on the display) or when the battery is exhausted, it should be recharged to increase the battery life.
Usage	▶ If the tool housing is used continuously in conventional setting mode for a period of time, will the heating in the tool housing affect normal use?	▶	As the high-speed motor causes the gear to rotate, the heat generated during the setting process is transferred to the outside, which does not affect the normal use of the tool. The user is advised to wear suitable protective gloves.

## 6. Troubleshooting

Malfunction		Probable cause		Correction of defects			
During Charging	▶ The battery is plugged into the charger and the green light is on	▶	Battery malfunction or damage, error, charging not possible.	▶	Stop charging immediately, remove the battery and replace it with a new battery.		
	▶ Red light is on while the battery is charging	▶	Abnormal charging temperature (battery overheating) outside normal range (0°C~45°C)	▶	Immediately switch off the power, remove the battery and check the charger		
U S A G E	▶ All displays on the function panel flash	▶	Low power alarm	▶	Remove the battery		
	▶ The indicator light flashes once within a certain period of time and switches off after 15 seconds.	▶	Motor short-circuit alarm	▶	Please send the battery to qualified, professional maintenance personnel for inspection and repair. If in doubt, please contact the authorised dealer in good time for advice and repair.		
	▶ The indicator light flashes within a certain period of time and switches off after 15 seconds.	▶	Overheating alarm of the control unit				
	▶ Die Anzeigeleuchte blinkt 4 Mal innerhalb einer bestimmten Zeitspanne und schaltet sich nach 15 Sekunden ab.	▶	Engine blockage alarm				
	▶ The indicator light flashes 5 times within a certain period of time and switches off after 15 seconds.	▶	Switch-on error or abnormally high current flow	▶	Use a new battery for the machine		
	▶ The lockbolt was not set correctly	▶	Battery damaged			▶	Tighten the mouthpiece
		▶	Loose mouthpiece			▶	Charge the battery or replace it with a new one if necessary.
		▶	Battery power exhausted, check power indicator			▶	Charging (see page 10: Battery testing, for use with page 13- Batteries and chargers).
	▶ The lockbolt is not pulled out or torn from the connection	▶	▶ The 3-piece jaws are worn, the mouthpiece is dirty, the jaw sleeve or the mouthpiece is deformed	▶	Replace the jaws, tighten the mouthpiece, remove impurities and replace the jaw sleeve or the mouthpiece		
			▶ The broken-off lockbolt is stuck in the clamping jaws / the lockbolt is stuck in the clamping jaw sleeve	▶	Unscrew the mouthpiece and remove the broken lockbolt. Also remove the clamping jaw sleeve and clamping jaws.		
▶ The collection container is full and the torn-off lockbolt returns backwards			▶	Remove the torn-off lockingbolt pins in the collection container			
▶ The wrong choice of mouthpiece or the mouthpiece is worn out			▶	Take the correct mouthpiece or replace it with a new one			
▶ Loose lockbolt after setting process	▶	Lockbolt selection does not correspond to the drill hole	▶	Checking and correct selection of the right lockbolt			

If the above methods do not remedy the situation, the setting tool must be repaired by professional personnel or the tool must be returned to the seller or manufacturer for repair!

## 7. Protection conditions & CE certification

### Warranty period & maintenance protection

Our products have a lifetime after-sales service. If a quality problem is found in use, we will provide warranty.

The warranty period for this tool is 1 year and the start date is based on the sales invoice.

Damage caused by normal wear and tear, overloading, improper use or by human hand is not covered by the warranty.

For the quality problem of the tool itself, the manufacturer offers a free repair or replacement within the warranty period.

For a free repair or replacement under warranty, only complete tools that have not been opened or modified independently will be accepted. Wear parts are not covered by the warranty.

In the event of abnormal use, the manufacturers are not responsible for quality claims. This includes improper storage, accident, abuse, loss and failure due to equipment non-conformity. The highest liability for damages is limited to the value of the product itself and does not apply to the fasteners and application.

If you have any questions, please contact your dealer or the manufacturer directly for assistance.

We hereby declare that this battery tool complies with the following standards and the standard documentation when used in accordance with the operating instructions.

### CE Certification

#### EC Compliance Statement

EN 62841-1:2015/AC:2015,  
EN 60335-1:2012/A11:2014,

EN 55014-1:2006+A1:2009+A2:2011,  
EN 55014-2:2015, EN 61000-3-2:2014,  
EN 61000-3-3:2013

related to CE Directive(s):  
2006/42/EC (Machinery)

2014/35/EU (Low Voltage)

2014/30/EU (Electromagnetic Compatibility)



Marcel Goebel  
Geschäftsführer

