

# 2620

## 2620 Hydraulic Installation Tool

### Specifications

*Weight:*

4.48 kg (9.88 lbs.)

*Stroke:*

36.50 mm (1.437")

*Max Operating Hydraulic Pressures:*

Pull-510 bar (7,400 psi)

Return-221 bar (3,200 psi)

*Capacity:*

78.93 kN @ 448 bar

(17745 lbs @ 6500 psi)

## 2620-PT Hydraulic Installation Tool

### Specifications

*Weight:*

4.48 kg (9.88 lbs.)

*Stroke:*

36.50 mm (1.437")

*Max Operating Hydraulic Pressures:*

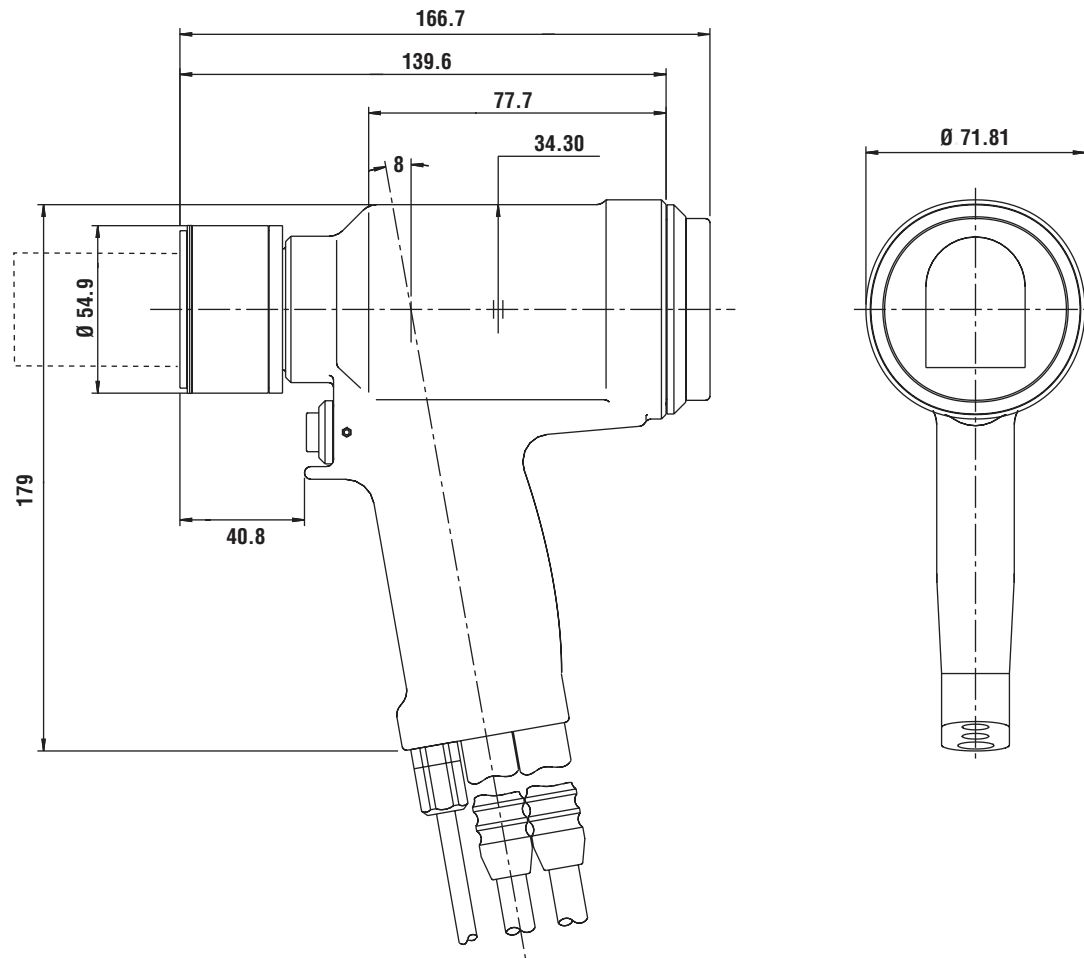
Pull-510 bar (7,400 psi)

Return-221 bar (3,200 psi)

*Capacity:*

78.93 kN @ 448 bar

(17745 lbs @ 6500 psi)



# 2620PT

## 2620-PT Hydraulic Installation Tool

### Specifications

*Weight:*

4.48 kg (9.88 lbs.)

*Stroke:*

36.50 mm (1.437")

*Max Operating Hydraulic Pressures:*

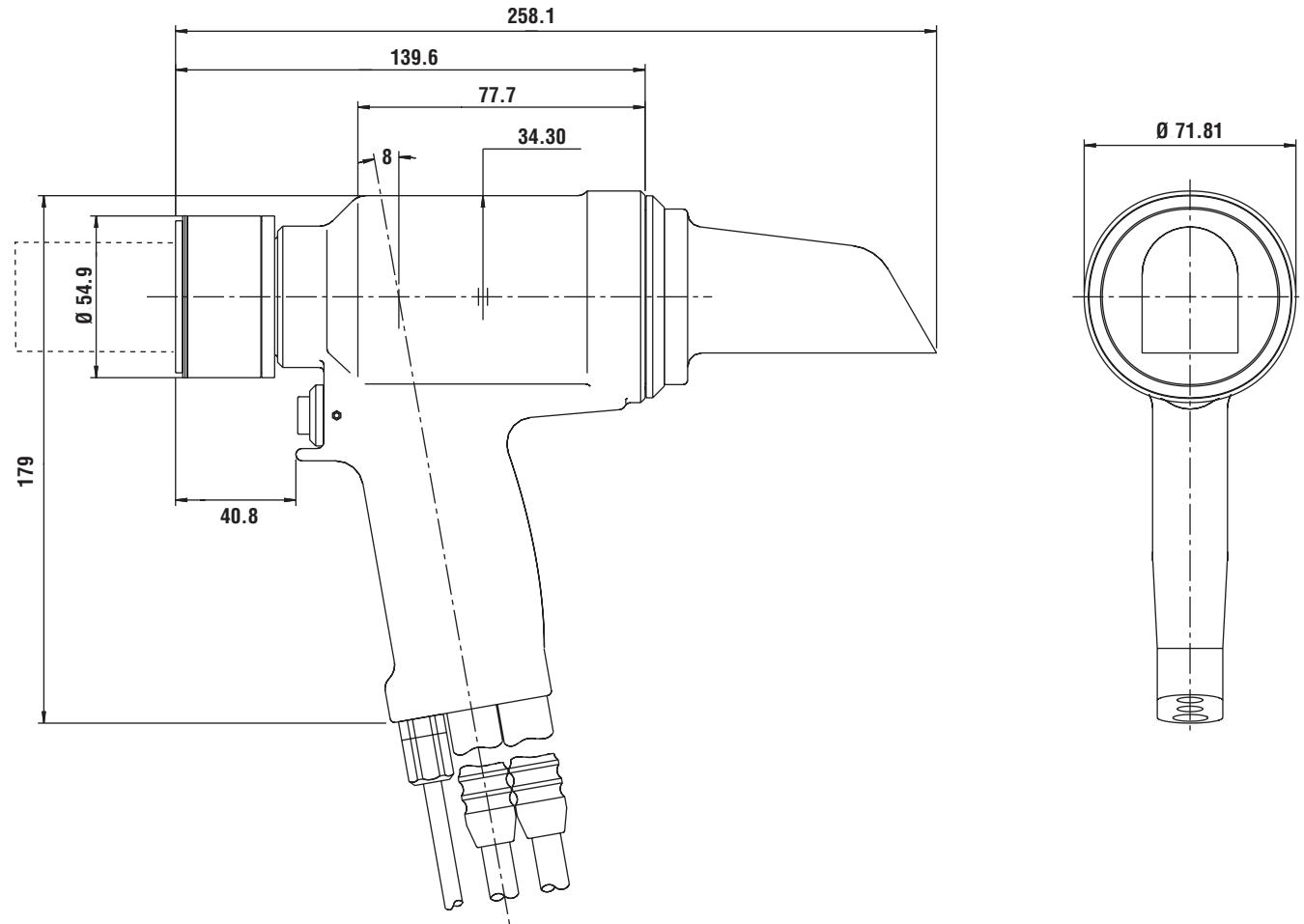
Pull-510 bar (7,400 psi)

Return-221 bar (3,200 psi)

*Capacity:*

78.93 kN @ 448 bar

(17745 lbs @ 6500 psi)



# HUCK® INTERACTIVE CD ROM : NOSE ASSEMBLY TABLE

## 2620/2620PT

### Some Fasteners & Nose Assemblies for use with the 2620 Tool

Type	Diameter	Nose Assembly
BOM	12.7 mm (1/2")	<b>99-5101</b>
C50L	12.7 mm (1/2")	<b>99-5002</b> , 99-5005
HUCKFIT	12 mm	99-5406
HP8	12.7 mm (1/2")	99-5300

Items in **bold** are part of our FOCUS Tooling Range

### Some Fasteners & Nose Assemblies for use with the 2620-PT Tool

Type	Diameter	Nose Assembly
BOM	12.7 mm (1/2")	<b>99-5101</b>
C50L	12.7 mm (1/2")	<b>99-5002</b> , 99-5005
HUCKFIT	12 mm	99-5406
HP8	12.7 mm (1/2")	99-5300

Items in **bold** are part of our FOCUS Tooling Range