

# HUCK® INTERACTIVE CD ROM : SPECIFICATIONS

## 256

### 256

#### Pneudraulic Installation Tool

---

#### Specifications

*Weight:*

5.03 kg (11.10 lbs.)

*Required Air Pressure:*

6.2-6.9 bar (90-100 psi)

*Stroke:*

22.4 mm (0.88")

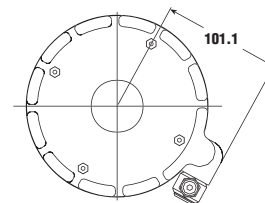
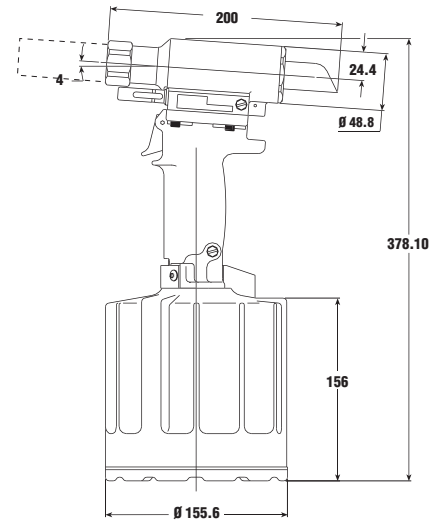
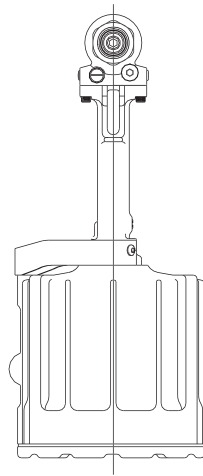
*Air Consumption:*

22.5 CFM (637 l/min) based on  
18-20 cycles per miute

*Capacity:*

44.42 kN @ 6.2 bar  
(9986 lbs @ 90 psi)

---



# HUCK® INTERACTIVE CD ROM : NOSE ASSEMBLY TABLE

## 256

### Some Fasteners & Nose Assemblies for use with the 256 Tool

Type	Diameter	Nose Assembly
BOM	4.8 mm (3/16")	<b>99-1053</b>
	6.4 mm (1/4")	<b>99-830-1</b>
MAGNA-LOK	9.5 mm (3/8")	<b>99-3318</b>
MAGNA-BULB	7.9 mm (5/16")	<b>99-3307</b>
C6L/C120L	4.8 mm (3/16")	99-2558, 99-2559
	6.4 mm (1/4")	99-2564, 99-2565
	7.9 mm (5/16")	<b>99-99-245</b>
	9.5 mm (3/8")	<b>99-100-245</b> , 99-100-1D2
MAGNA-GRIP	4.8 mm (3/16")	99-3206
	6.4 mm (1/4")	99-3207
	7.9 mm (5/16")	<b>99-1439</b>
	9.5 mm (3/8")	<b>99-1440</b>
HUCKTAINER	9.5 mm (3/8")	99-3438

Items in **bold** are part of our FOCUS Tooling Range